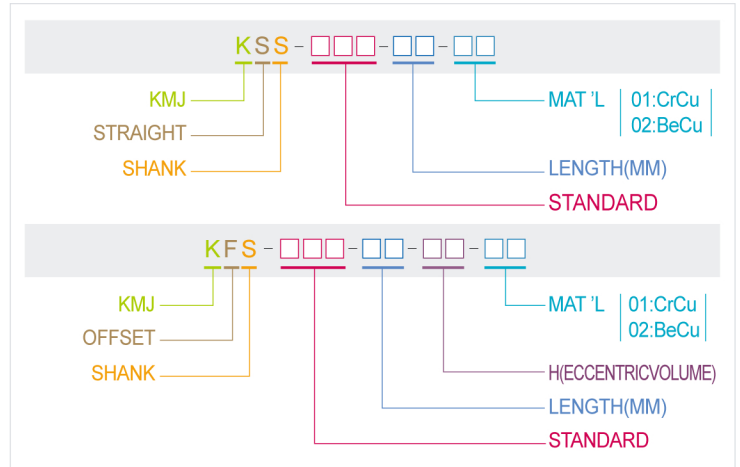
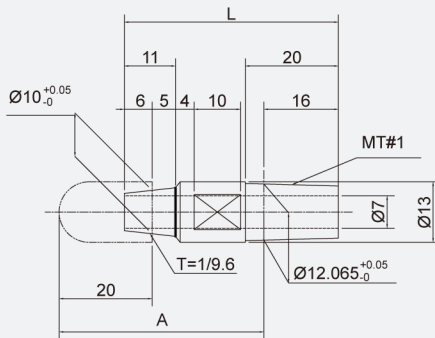


## Straight Shank & Bending Shank

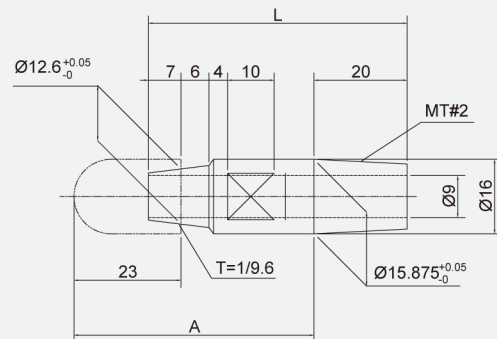


### | KSS-061 |



CLASSIFICATION	A	L
KSS-061-30	30	32
KSS-061-40	40	42
KSS-061-50	50	52
KSS-061-60	60	62
KSS-061-70	70	72
KSS-061-80	80	82
KSS-061-90	90	92
KSS-061-100	100	102

### | KSS-062 |



CLASSIFICATION	L	H
KFS-062-50-09	50	09
KFS-062-60-09	60	09
KFS-062-70-09	70	09
KFS-062-80-09	80	09
KFS-062-50-13	50	13
KFS-062-60-13	60	13
KFS-062-70-13	70	13
KFS-062-80-13	80	13
KFS-062-50-16	50	16
KFS-062-60-16	60	16
KFS-062-70-16	70	16
KFS-062-80-16	80	16
KFS-062-50-19	50	19
KFS-062-60-19	60	19
KFS-062-70-19	70	19
KFS-062-80-19	80	19