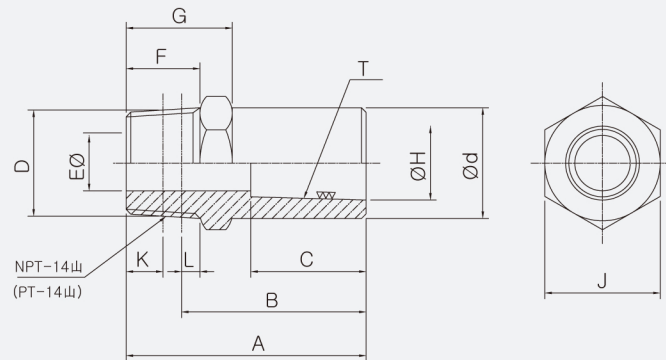
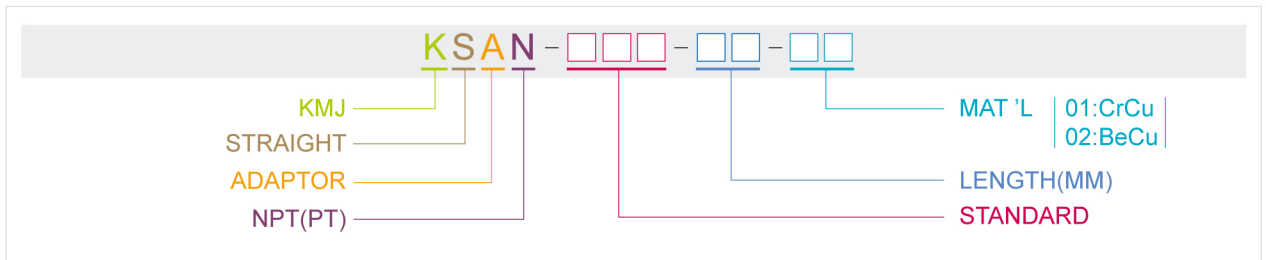
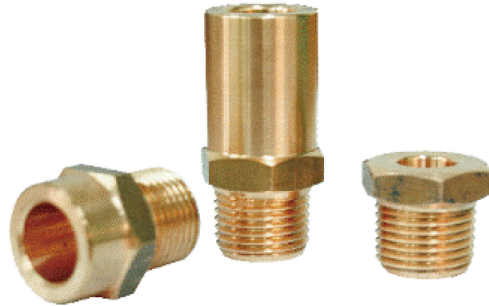


Adaptor



CLASSIFICATION	A	B	C	D	E	F	G	H	d	J	K	L	T
KSAN-061-10	23	10	20	1/2	10	16	23	12.065	20	25	9.942 (8.16)	3	MT#1
KSAN-061-20	33	20											
KSAN-061-40	53	40											
KSAN-061-60	73	60	25	1/2	11	16	23	15.875	24	25	9.942 (8.16)	3	MT#2
KSAN-062-10	23	10											
KSAN-062-20	33	20											
KSAN-062-40	53	40	28	3/4	12	20	30	18.5	30	32	10.425 (9.53)	5	T=1/10
KSAN-062-60	33	60											
KSAN-072-10	73	10											
KSAN-072-20	33	20	28	3/4	12	20	30	18.5	30	32	10.425 (9.53)	5	T=1/10
KSAN-072-40	53	40											
KSAN-072-60	73	60											